



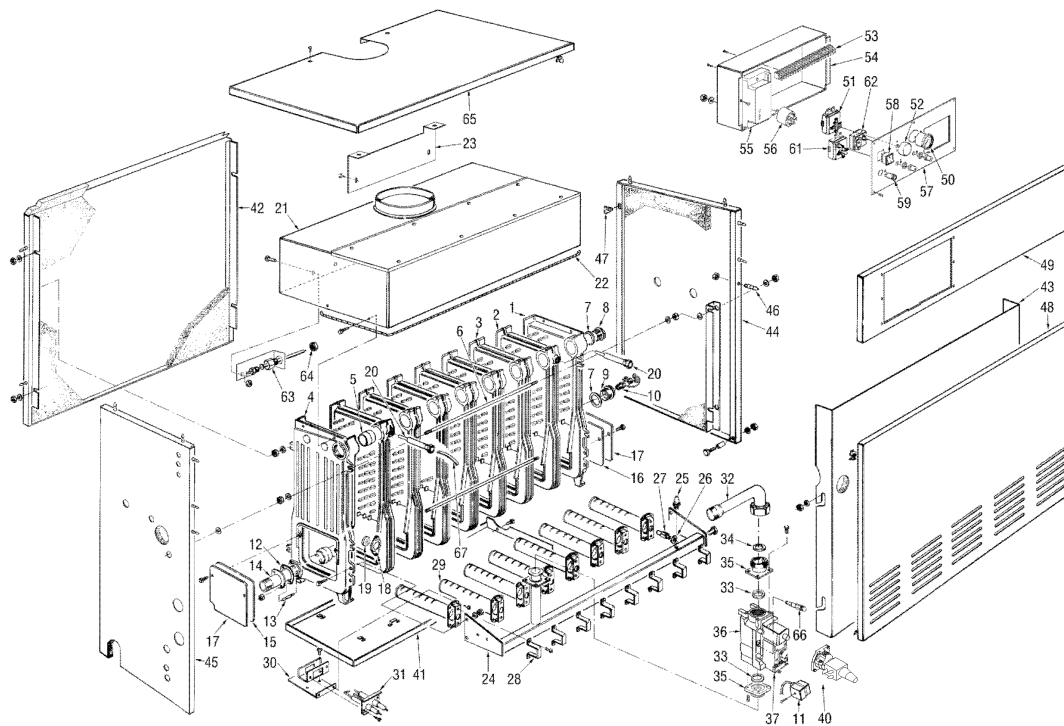
Fonderie Sime S.p.A. - Via Garbo, 27 - 37045 Legnago (VR) - www.sime.it
 Tribunale Verona 13531 - R.E.A. VR 171357 - C.C.P. 19423375 - N° Mecc. VR 014435
 Capitale Sociale Euro 5.521.200 int. versato - Codice Fiscale/Partita IVA n. IT 01275930236

Comfort Ambiente - Via Garbo, 27 - 37045 Legnago (VR)

Tel +39 0442 631111 - Fax Servizio Commerciale: Italia +39 0442 631291 - Estero +39 0442 631293

Fax Servizio Tecnico +39 0442 631292 - Fax Ufficio Acquisti +39 0442 631292 - Fax Amministrazione +39 0442 631336

8044722 CALD.GAS MET.GRIG.RMG 70 Mk.II



Posiz.	Codice	Descrizione	
001	6102601	Right hand end section	
002	6153601	Intermediate section with drill	
003	6095501	Intermediate section	
004	6095402	Left hand end section	
005	6193201	Push nipple 1-1/2"	
006	6000535	Tie-rod M10x775	
007	2030224	Gasket Ø 47,3x61x2	
008	2041000	Plug 1-1/2"	
009	2041112	Reducer 1-1/2"x3/4"	
010	6020701	Drain cock 3/4"	
011	6245315	"INECO" coil rectified connecto	
012	6052700	Flange oval gasket	
013	6000607	Stud M10x33	
014	6098000	Water distributor 1-1/2"	
015	6098101	Combustion chamber door insulat	
016	6098801	Combust. chamber rear door insu	
017	6019701	Combustion chamber door	
018	6047400	Sight frame	
019	6020100	Sight glass	
020	5004200	Bulb holder 1/2" L=190	
021	5089604	Smoke chamber	
022	1232401	Glass fibre sealing cord Ø 10	
023	6273800	Top cover support	
024	6098911	Burner manifold	
025	6023100	Pressure test nipple Ø 1/8"	
026	6022001	Aluminium washer Ø 10	
027	6050224	Nozzle Ø 2,95	MET
027A	6050203	Nozzle Ø 1,70N for LPG	GPL
028	6092300	Burner securing bracket	
029	6091500	Burner bar type 928/9	
030	6099000	Pilot/electrode support	
031	5179501	Electrodes ignition-ionisation	
032	6251406	Gas inlet pipe	
033	2030223	Gasket NPR 24x35x4	

034	2030205	Gasket Ø 19.5x27x3	
035	6163101	Square flange with 1" connectio	
036	6089702	Honeywell gas valve VR4605C 113	
037	6025701	Honeywell gas valve operator V4	
040	6025606	Modulator V4336A 3>20 mbar MET	MET
040A	6025604	Modulator V4336A 4>37 mbar GPL	GPL
041	5089701	Tray	
042E	6099294	Casing rear panel	
043E	6099391	Casing inner front panel	
044A	5090005	Casing right hand side panel	
045A	5090105	Casing left hand side panel	
046	2003000	Pin M5 Zn	
047	2015000	Spring clip	
048E	6295950	Casing front door	
049E	6296050	Casing front upper panel	
050	6146003	Thermometer 0-120°C	
051	6159300	Adjustable boiler stat TRZ	
052	6240103	Handle Ø 35	
053	2211000	Terminal strip	
054A	6210904	Control panel protecting cover	
055	6178834	Brahma FM11 control box	
056	6266900	Anti-jamming filter	
057A	6211010	Control panel	
058	6013501	Switch with warning light	
059	6070411	Reset knob	
061	6001400	H.L. stat 100°C	
062	6001402	Smoke stat	
063	6070802	Bulb holder reducer	
064	6146304	Brass nut M12x1	
065E	6295850	Casing top cover	
066	6248303	L.P.G. adaptor	
067	2051000	Contact spring	
702	6127201	Main cable L=2000	
704	6186585	Cable for ionisation electrode	
705	6245305	Gas valve connector	
706	6272602	Connection kit for RVA43 progra	
707	6278669	7 pole connector for control bo	
708	6278670	4 pole connector for control bo	
709	6050900	Set boiler assembling tools	
710	6259501	Air/Smoke test pressure point	
711	6233507	Fuse F3,15A 250V	
712	5118701	Gas fired c.i. boiler block	
717	5118402	Conversion kit to the LPG	
732	5090323	Control panel assembly	
734	5092704	Complete casing without control	
746	6221640	Ignition electrode cable	